

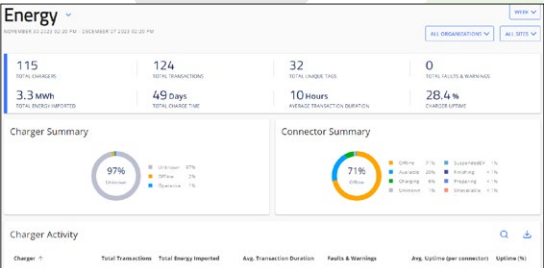
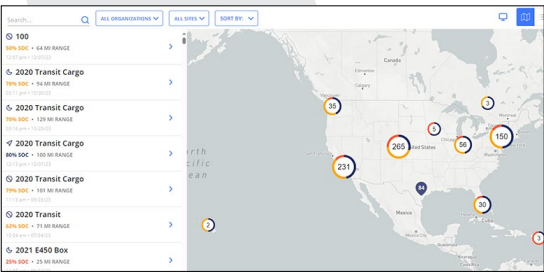


Lightning ZEV4™ Type A School Bus

- ✓ Battery-electric vehicle
- ✓ Smooth, quick and quiet
- ✓ Engineered and built in the USA
- ✓ Elegant cabin integration with batteries between the frame rails and fully under the floor
- ✓ CARB certified
- ✓ Lightning Insights real-time telematics



Lightning's digital dashboard provides all the information the driver needs



Lightning Insights provides real-time and time-summarized data on the performance of your EV fleet, as well as charger and energy management

The Lightning ZEV4™ Type A school bus built in partnership with Collins Bus Corporation is the ideal small school bus solution for transporting students with no emissions.



By integrating our state-of-the-art electric powertrain into the trusted and widely-used GMC Savana 4500 / Chevrolet Express 4500 platform, the Lightning ZEV4 shuttle provides a quiet, smooth and familiar driving experience that your drivers – and students – will love.

With its estimated 110-mile range, this vehicle provides practical, reliable service while producing zero emissions on the road. Charging is simple and quick, with both Level 2 AC charging and DC Fast Charge supported. We use the highest-quality components available, including thermally-managed batteries which deliver the best range, efficiency and lifetime of any batteries in the market.

Our close relationship with Collins Bus makes these electric school buses easy to purchase through their dealer network.

- EPA Clean School Bus Program eligible

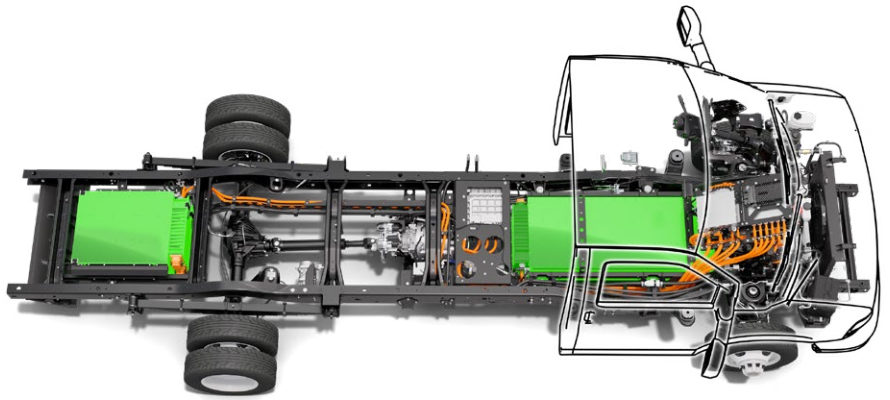
Contact us today for more information on our bus and this amazing grant program!

Phone: **1-800-223-0740 / +1 970-744-4047**
Email: **info@lightningemotors.com**



Lightning eMotors' EV powertrain is over 83% domestic origin by cost

Lightning ZEV4 Type A School Bus



Battery packs are located between the frame rails for maximum safety and best weight distribution.

Specifications

Base chassis	GMC Savana 4500 Cutaway
GVWR	14,200 lbs
Wheelbase	159in
Charging options	Level 2 AC (up to 13.2 kW) and DC Fast Charge (up to 80 kW) with J1772 CCS1 Combo V2G ready/enabled (Level 3, DC only).
Driving range*	up to 110 miles
Battery capacity	105 kWh
Charge time	6.7 hours 5% to 80% (Level 2 at up to 13.2 kW) 1.2 hrs 5% to 80% (DC Fast Charge at up to 80 kW)
Passenger capacity**	up to 24
Maximum speed	65 mph (approx)
Peak power	255 HP (190 kW)
Torque rating (after transmission)	1181 lb-ft (1602 Nm)
Warranty	Base Chassis: GM standard warranty Electric powertrain and batteries: Lightning eMotors standard warranty (5 year / 60,000 miles)
Analytics	✓ Preventive Maintenance ✓ Range Analysis ✓ Driver Behavior ✓ Charging Management

* All-electric range can vary depending on route or drive cycle, environmental conditions, vehicle or equipment configurations, and driver behavior.

** Payload and passenger capacity can vary and greatly depend on vehicle wheelbase, seating configuration, and other characteristics or features as delivered by the OEM or chassis manufacturer. Equipment added to the base chassis by aftermarket upfitters or equipment installers could also affect payload and passenger capacity.

Lightning's team of fleet experts stand behind our work and provide exceptional customer service, from vehicle deployment and technical support to custom analytics reports and operator training.



Save vehicle downtime with no emissions testing



Zero emissions means cleaner air in communities you serve



Fewer parts means lower maintenance costs



Regenerative braking dramatically reduces brake wear



Significant savings on operating costs



BEVs save money on fuel costs

Contact us today!

Phone: **1-800-223-0740 / +1 970-744-4047**

Email: **info@lightningemotors.com**



December 2023. The information presented here may be subject to change at any time.

@ 2023 Lightning eMotors

info@lightningemotors.com

lightningemotors.com

