



FLEETS POWERED BY LIGHTNING

Lightning ZEV4™ Dump Body Truck

- ✓ Battery-electric vehicle
- ✓ Smooth, quick and quiet
- ✓ Engineered and built in the USA
- ✓ Elegant cabin integration with batteries between the frame rails and fully under the floor
- ✓ CARB certified and HVIP eligible
- ✓ Lightning Insights real-time telematics



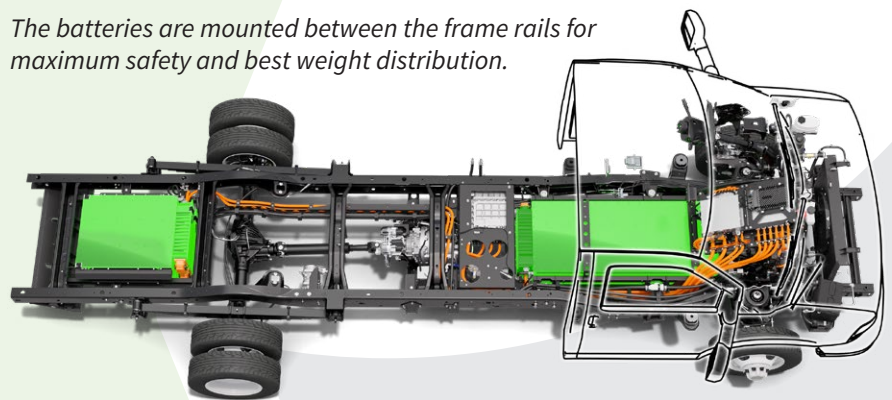
The **Lightning ZEV4™ class 4 dump body truck** is a trustworthy partner for your bulk material applications. By integrating our state-of-the-art electric powertrain into the trusted and widely-used GMC Savana 4500 / Chevrolet Express 4500 platform, the Lightning ZEV4 platform gets the job done while providing a quiet, smooth and familiar driving experience.

With its 110-mile range, this vehicle provides practical, reliable service while producing zero emissions on the road. Charging is simple and quick, with both Level 2 AC charging and DC Fast Charge supported.

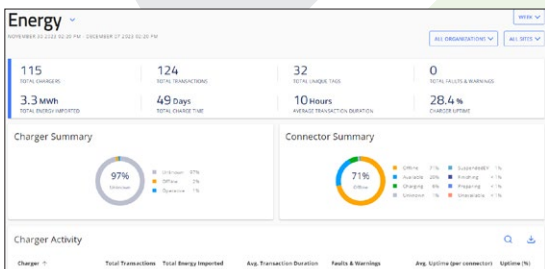
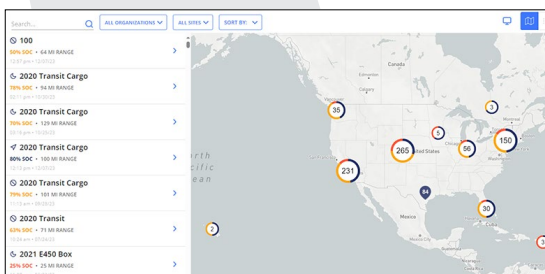
We use the highest-quality components available, including thermally-managed batteries which deliver the best range, efficiency and lifetime of any batteries in the market.

Compatible with dump bodies from Knapheide, this flexible vehicle is your route to reliable and cost-effective zero-emission operations in your community.

The batteries are mounted between the frame rails for maximum safety and best weight distribution.



Lightning's digital dashboard provides all the information the driver needs



Lightning Insights provides real-time and time-summarized data on the performance of your EV fleet, as well as charger and energy management

Let us put you in the driver's seat!

Phone: **1-800-223-0740** Email: info@lightningemotors.com

Lightning ZEV4 Dump Body Truck



Specifications

Base chassis	Chevrolet Express 4500 or GMC Savana 4500 cutaway
GVWR	14,200 lbs
Wheelbase	177 in
Driving range*	up to 110 miles
Battery capacity	105 kWh
Charge time	6.7 hours 5% to 80% (Level 2 at up to 13.2 kW) 1.2 hrs 5% to 80% (DC Fast Charge at up to 80 kW)
Payload capacity**	4,450 lbs approx
Charging options	Level 2 AC (up to 13.2 kW) and DC Fast Charge (up to 80 kW) with J1772 CCS1 Combo
Maximum speed	65 mph (approx)
Peak power	255 HP (190 kW)
Torque rating (after transmission)	1181 lb-ft (1602 Nm)
Warranty	Base Chassis: GM standard warranty Electric powertrain and batteries: Lightning eMotors standard warranty (5 year / 60,000 miles)
Analytics	✓ Preventive Maintenance ✓ Range Analysis ✓ Driver Behavior ✓ Charging Management

* All-electric range can vary depending on route or drive cycle, environmental conditions, vehicle or equipment configurations, and driver behavior.

** Payload and passenger capacity can vary and greatly depend on vehicle wheelbase, seating configuration, and other characteristics or features as delivered by the OEM or chassis manufacturer. Equipment added to the base chassis by aftermarket upfitters or equipment installers could also affect payload and passenger capacity.

Lightning's team of fleet experts stand behind our work and provide exceptional customer service, from vehicle deployment and technical support to custom analytics reports and operator training.

Contact us today!

Phone: **1-800-223-0740 / +1 970-744-4047**

Email: **info@lightningemotors.com**



Save vehicle downtime with no emissions testing



Zero emissions means cleaner air in the communities you serve



Fewer parts means lower maintenance costs



Regenerative braking dramatically reduces brake wear



Significant savings on operating costs



BEVs save money on fuel costs



December 2023. The information presented here may be subject to change at any time.

@ 2023 Lightning eMotors

info@lightningemotors.com

lightningemotors.com

