



FLEETS POWERED BY LIGHTNING

# Lightning ZEV4™ Dump Body Truck

- ✓ Battery-electric vehicle
- ✓ Smooth, quick and quiet
- ✓ Engineered and built in the USA
- ✓ Elegant cabin integration with batteries between the frame rails and fully under the floor
- ✓ CARB certified and HVIP eligible
- ✓ Lightning Insights real-time telematics



**LIGHTNING  
ZEV4™**

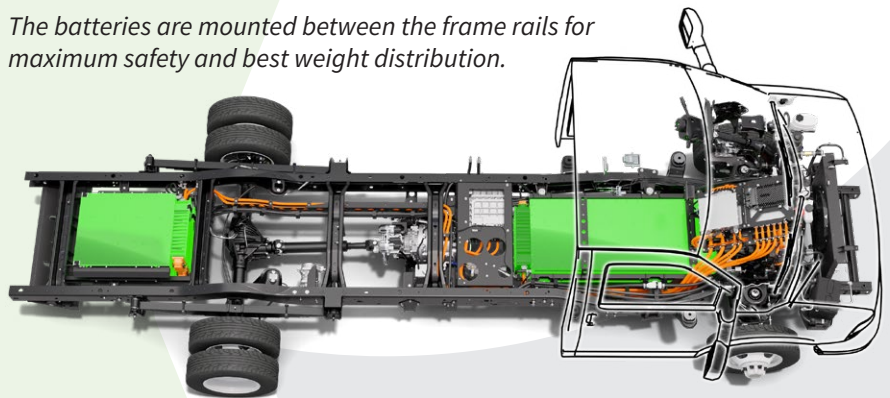
The **Lightning ZEV4™ class 4 dump body truck** is a trustworthy partner for your bulk material applications. By integrating our state-of-the-art electric powertrain into the trusted and widely-used GMC Savana 4500 / Chevrolet Express 4500 platform, the Lightning ZEV4 platform gets the job done while providing a quiet, smooth and familiar driving experience.

With its 130-mile range, this vehicle provides practical, reliable service while producing zero emissions on the road. Charging is simple and quick, with both Level 2 AC charging and DC Fast Charge supported.

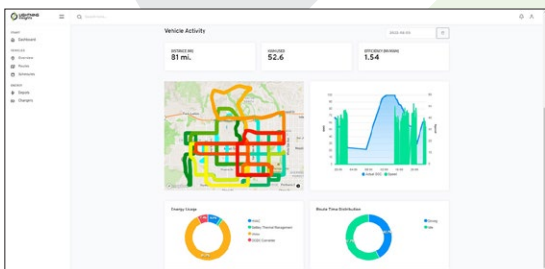
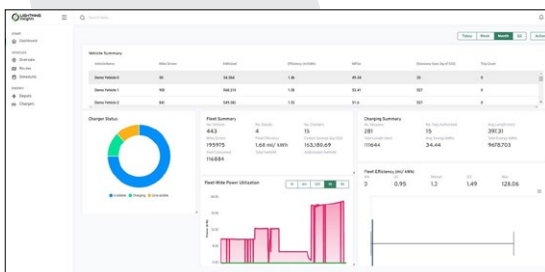
We use the highest-quality components available, including thermally-managed batteries which deliver the best range, efficiency and lifetime of any batteries in the market.

Compatible with dump bodies from Knapheide, this flexible vehicle is your route to reliable and cost-effective zero-emission operations in your community.

*The batteries are mounted between the frame rails for maximum safety and best weight distribution.*



Lightning's digital dashboard provides all the information the driver needs



Lightning Insights provides real-time and time-summarized data on the performance of your EV fleet, as well as charger and energy management

**Let us put you in the driver's seat!**

Phone: **1-800-223-0740** Email: [info@lightningemotors.com](mailto:info@lightningemotors.com)

# Lightning ZEV4 Dump Body Truck



## Specifications

Base chassis	Chevrolet Express 4500 or GMC Savana 4500 cutaway
GVWR	14,200 lbs
Wheelbase	159 in, 177 in
Driving range*	up to 130 miles
Battery capacity	120 kWh
Charge time	7.5 - 8.5 hours (Level 2 at up to 13.2 kW) 2- 2.5 hrs (DC Fast Charge at up to 80 kW)
Payload capacity**	7,680 lbs (subtract weight of upfitter body and equipment to find usable payload)
Charging options	Level 2 AC (up to 13.2 kW) and DC Fast Charge (up to 80 kW) with J1772 CCS1 Combo
Maximum speed	68 mph (approx)
Peak power	241 HP (180 kW)
Torque rating (after transmission)	790 lb-ft (1071 Nm)
Warranty	Base Chassis: GM standard warranty Electric powertrain and batteries: Lightning eMotors standard warranty (5 year / 60,000 miles)
Analytics	✓ Preventive Maintenance   ✓ Range Analysis   ✓ Driver Behavior   ✓ Charging Management

\* All-electric range can vary depending on route or drive cycle, environmental conditions, vehicle or equipment configurations, and driver behavior.

\*\* Payload and passenger capacity can vary and greatly depend on vehicle wheelbase, seating configuration, and other characteristics or features as delivered by the OEM or chassis manufacturer. Equipment added to the base chassis by aftermarket upfitters or equipment installers could also affect payload and passenger capacity.

Lightning's team of fleet experts stand behind our work and provide exceptional customer service, from vehicle deployment and technical support to custom analytics reports and operator training.

### Contact us today!

Phone: **1-800-223-0740 / +1 970-744-4047**

Email: **info@lightningemotors.com**



Save vehicle downtime  
with no emissions testing



Zero emissions means  
cleaner air in the com-  
munities you serve



Fewer parts means lower  
maintenance costs



Regenerative braking  
dramatically reduces  
brake wear



Significant savings  
on operating costs



BEVs save money  
on fuel costs

July 2023. The information presented here may be subject to change at any time.

@ 2023 Lightning eMotors

info@lightningemotors.com

lightningemotors.com

